

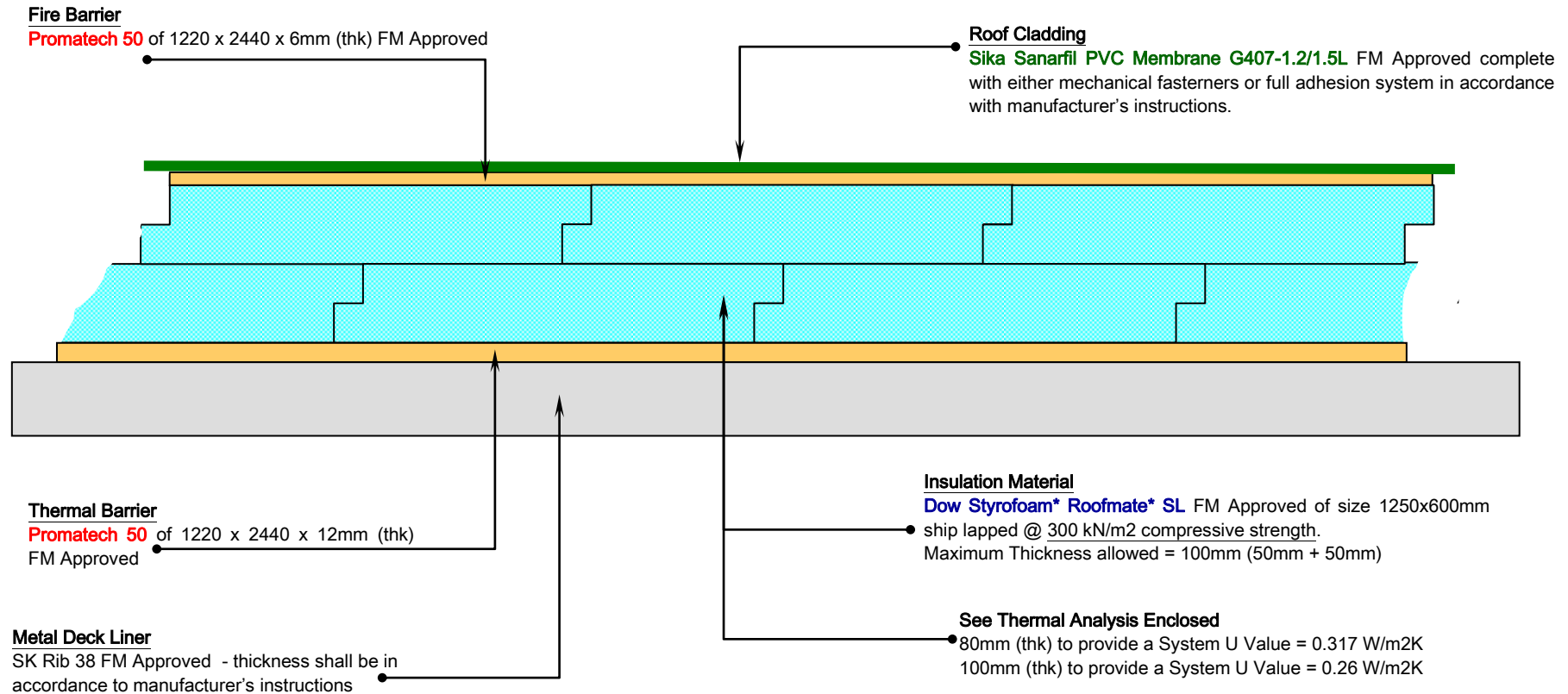
Promat <FM> Approved Roof With Styrofoam* Roofmate* & Sika Sanarfil Membrane

Tested in accordance to ASTM E108 and FM Standard Class 4450 (fire from above and below)

FM ID Ref 3035237

Schematic Sketch – Not to Scale

10th November 2012



<p>Promatech 50 <FM> Promat (Malaysia) Sdn Bhd. Unit 19-02-01, Level 2, PNB Damansara, No. 19, Lorong Dungun, Damansara Heights, 50490 Kuala Lumpur Tel.: +603-2095 5111 Fax: +603-2095 6111 Contact LEE Ho Aik (HP : 012 632 7955 / 016 206 1994) Email leeha@promat.com.my</p>	<p>Dow Styrofoam* Roofmate* <FM> Mudahjuta Industries Sdn Bhd 3A, Jalan Telawi Lima, Bangsar Baru 59100 Kuala Lumpur Tel +603 22841019 Fax +603 22842339 Contact Pauline Wong (HP 012 231 3905) Email pauline@misb.com.my</p>	<p>Sika Sanarfil PVC Membrane <FM> Sikia Kimia Sdn Bhd Lot 689, Nilai Industrial Estate 71800 Nilai, Negeri Sembilan. Tel +606 7991762 Fax +606 799 1980 Contact Andy Law (HP 012 888 5546) Email law.andy@my.sika.com</p>
---	--	--